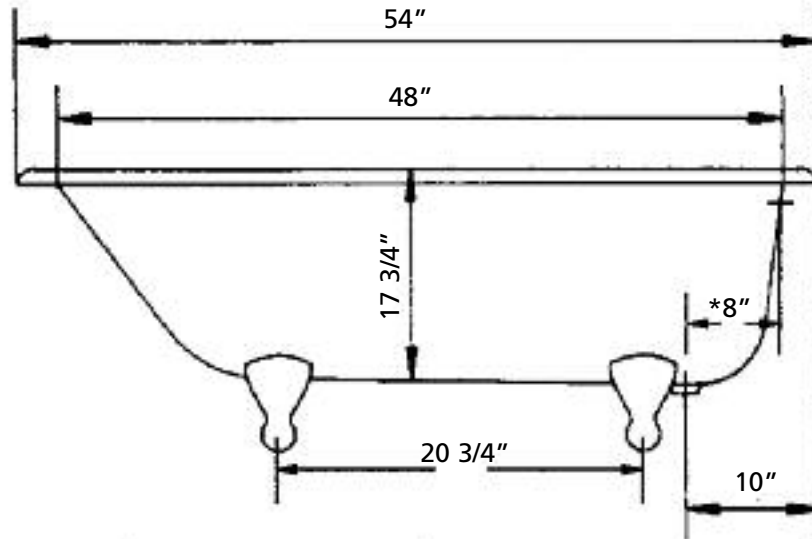
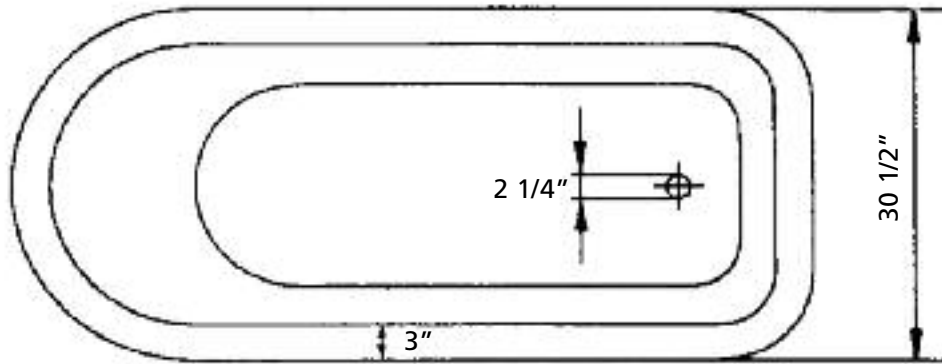


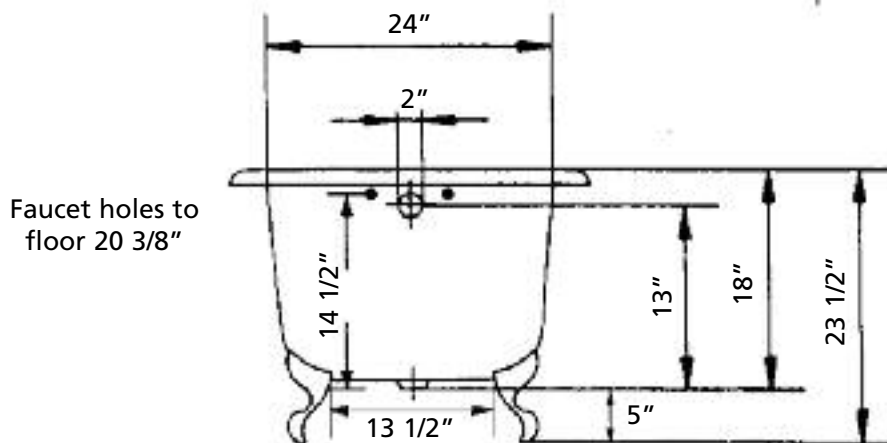
TRADITIONAL Roll Top Clawfoot Tub | #2092 | Overall Length 54"

1-800-444-5969



*8" C.C.
waste/overflow
to drain

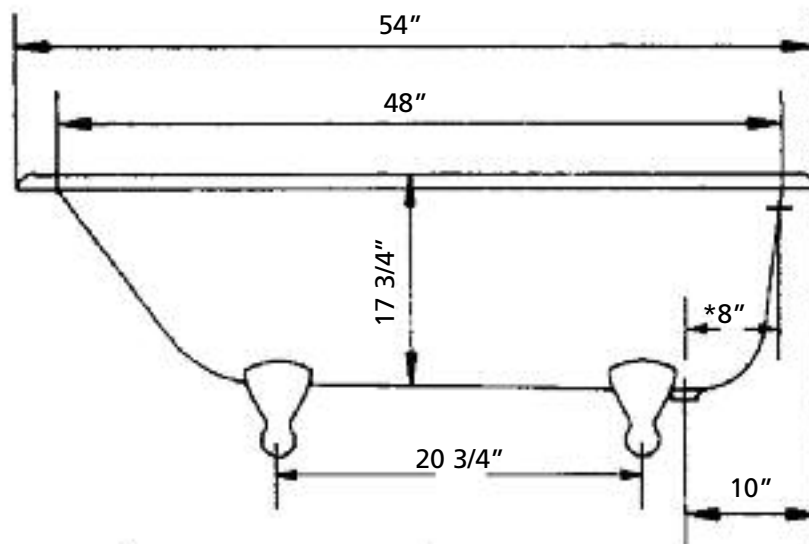
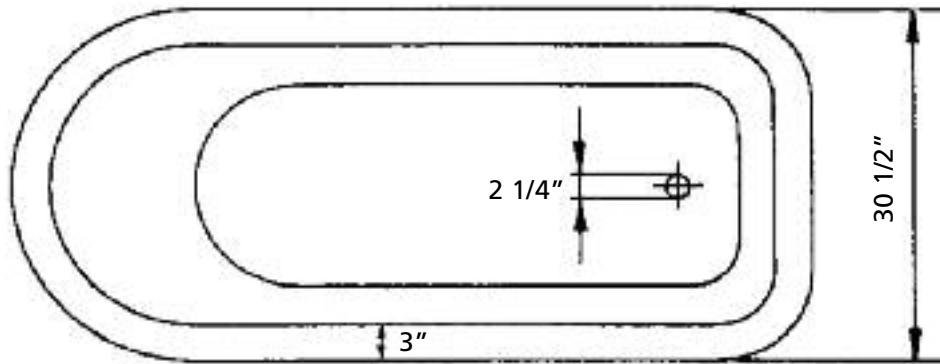
Top center of
overflow to floor
18"



Faucet holes to
floor 20 3/8"

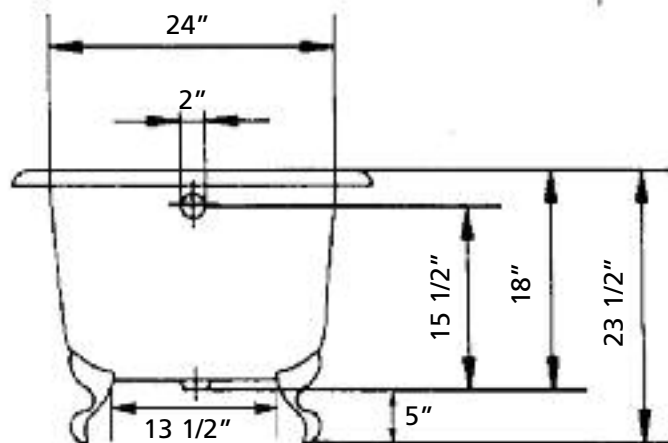
TRADITIONAL Cast Iron Bath with flat area on rim | #2093 | Overall Length 54"

TRADITIONAL Cast Iron Bath with no faucet holes | #2094 | Overall Length 54"



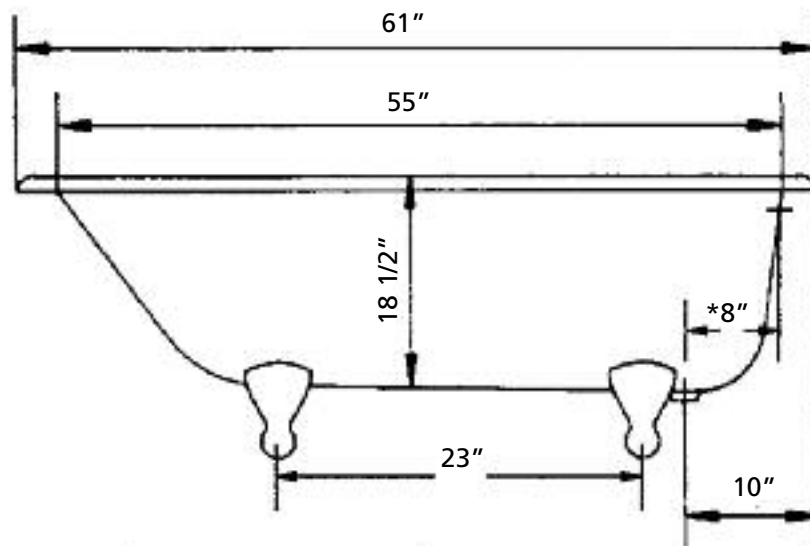
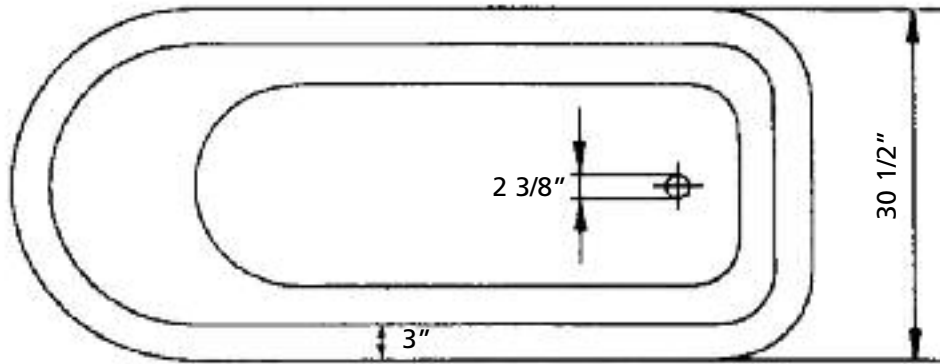
*8" C.C.
waste/overflow
to drain

Top center of
overflow to floor
20 1/2"

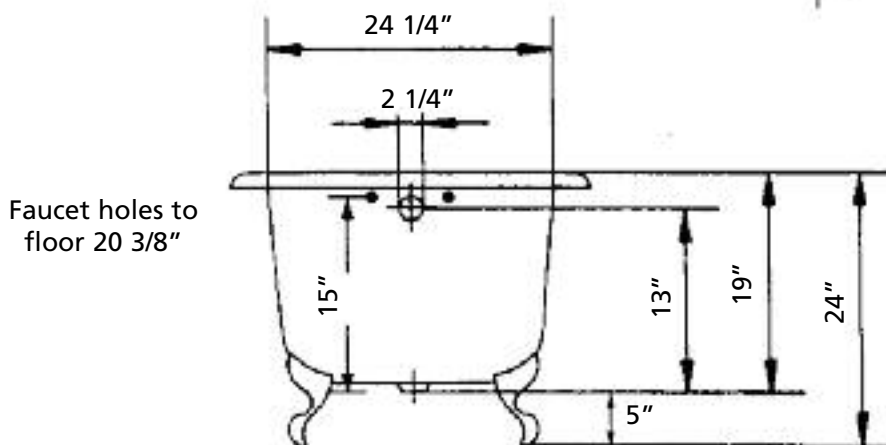


TRADITIONAL Roll Top Clawfoot Tub | #2100 | Overall Length 61"

1-800-444-5969

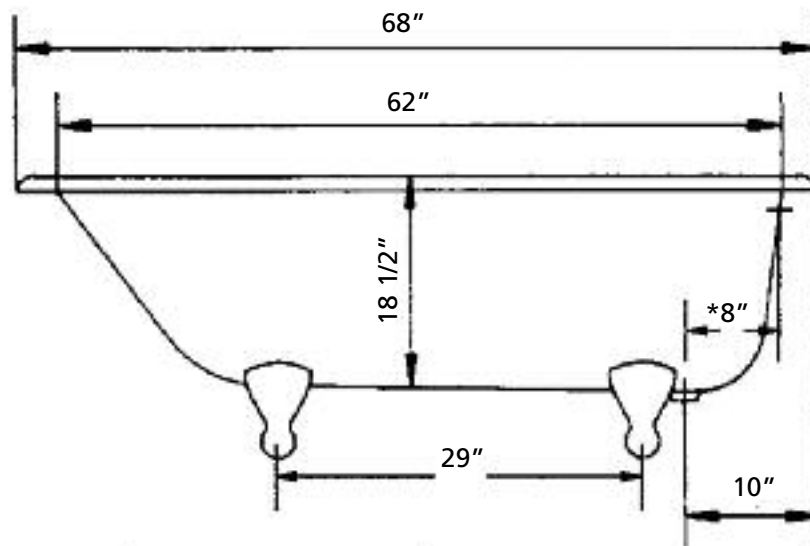
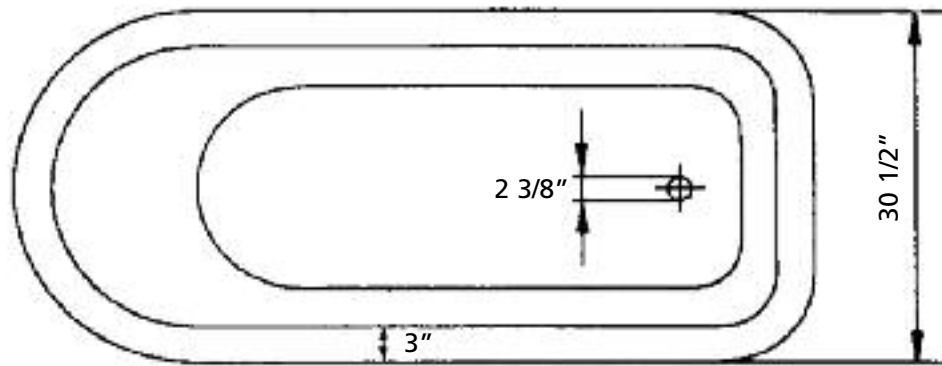


Top center of overflow to floor
18"



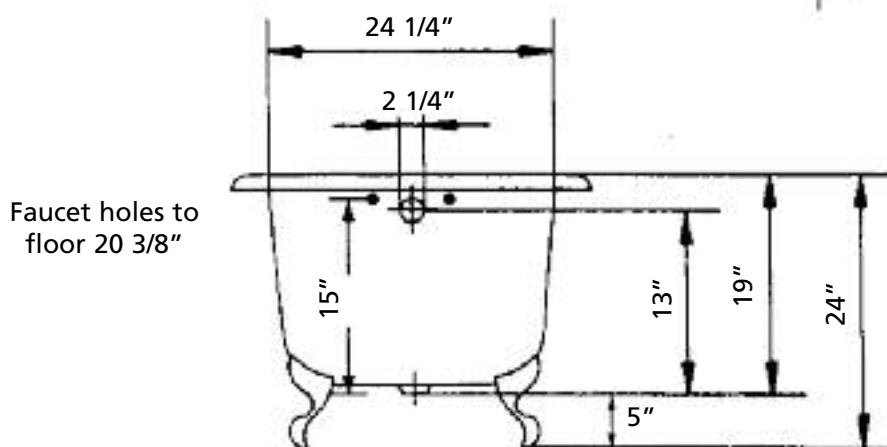
TRADITIONAL Roll Top Clawfoot Tub | #2102 | Overall Length 68"

1-800-444-5969



*8" C.C.
waste/overflow
to drain

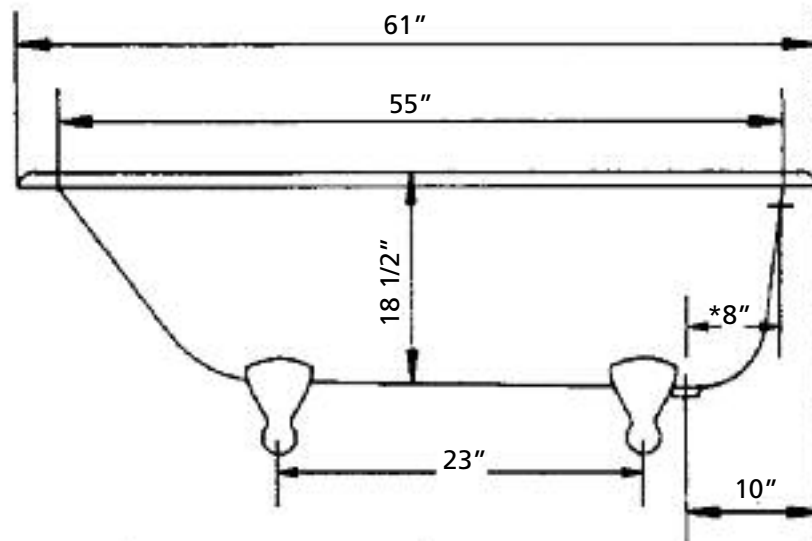
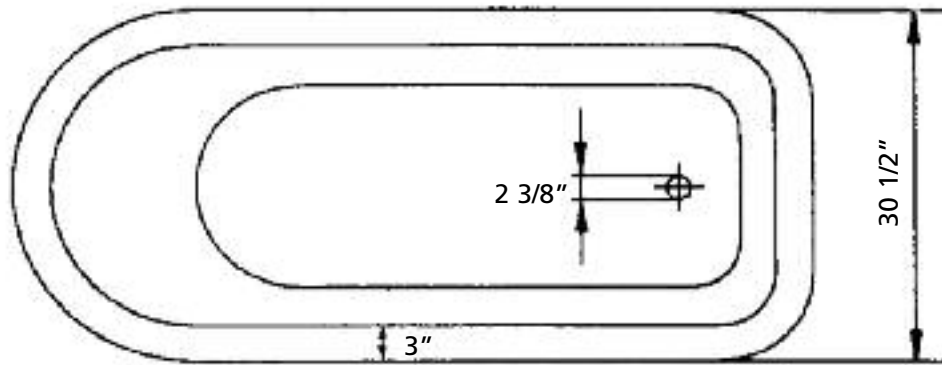
Top center of
overflow to floor
18"



Faucet holes to
floor 20 3/8"

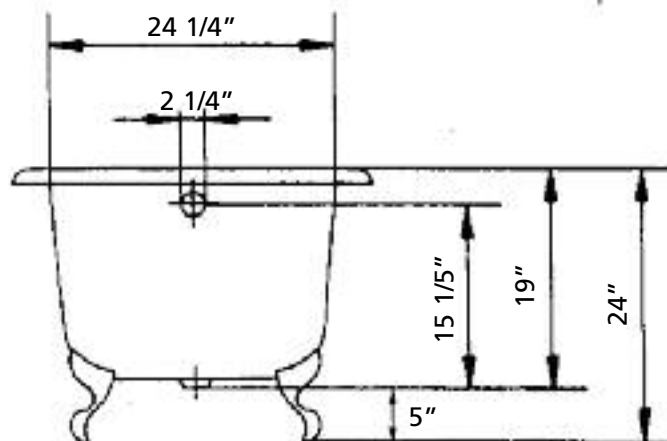
TRADITIONAL Roll Top Clawfoot Tub | #2104 | Overall Length 61"

1-800-444-5969



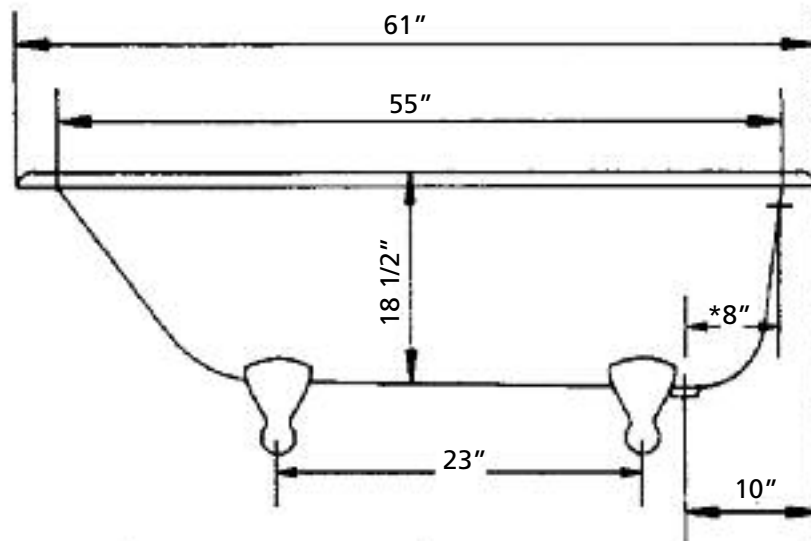
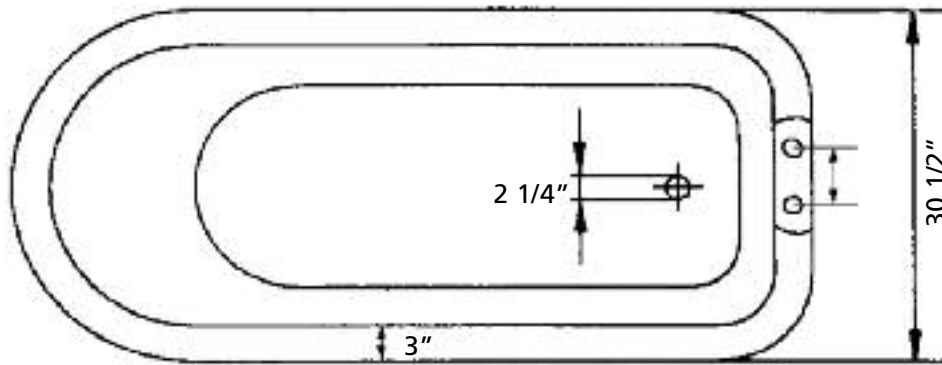
*8" C.C.
waste/overflow
to drain

Top center of
overflow to floor
20 1/2"



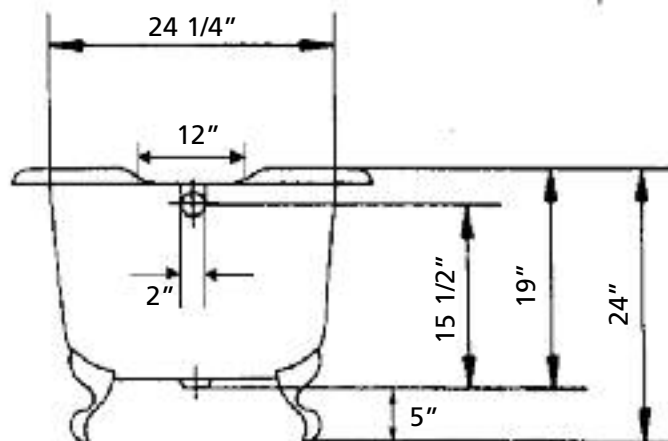
TRADITIONAL Roll Top Clawfoot Tub | #2105 | Overall Length 61"

1-800-444-5969



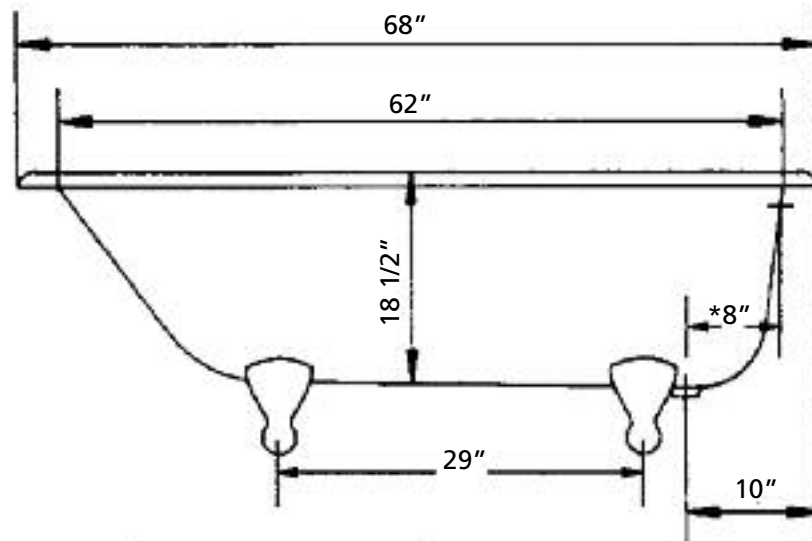
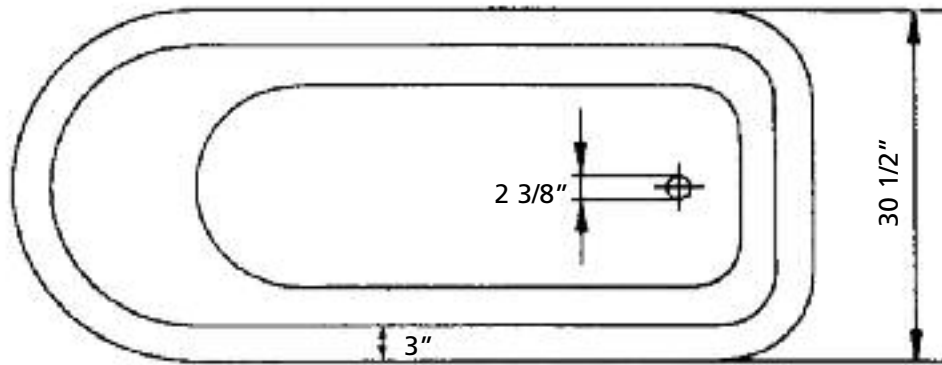
*8" C.C.
waste/overflow
to drain

Top center of
overflow to floor
20 1/2"



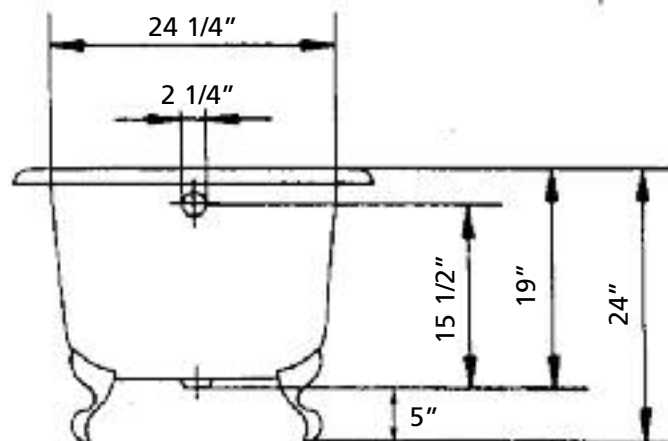
TRADITIONAL Roll Top Clawfoot Tub | #2106 | Overall Length 68"

1-800-444-5969



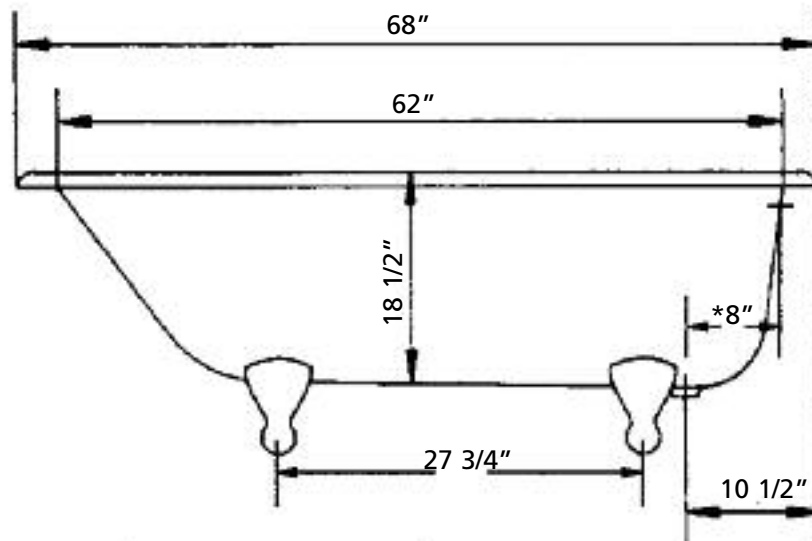
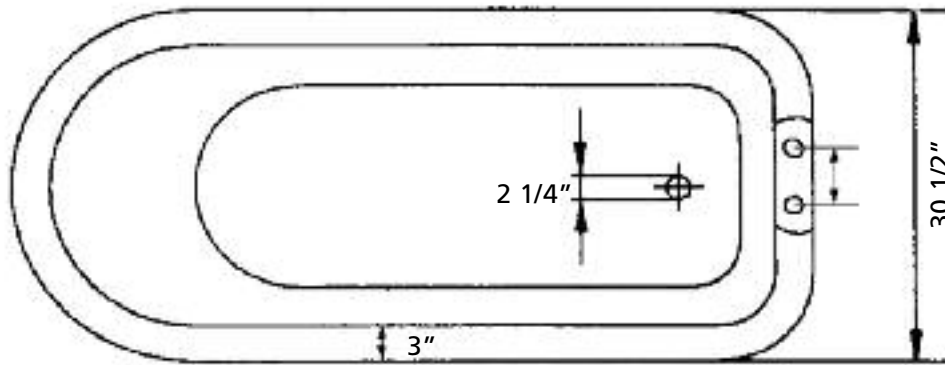
*8" C.C.
waste/overflow
to drain

Top center of
overflow to floor
20 1/2"



TRADITIONAL Roll Top Clawfoot Tub | #2107 | Overall Length 68"

1-800-444-5969



*8" C.C.
waste/overflow
to drain

Top center of
overflow to floor
20 1/2"

